

FIBER FACEPLATE P/N: OUF1 1-2, OUF22-2, OUF33-2, OUF55-2, OUX86-3

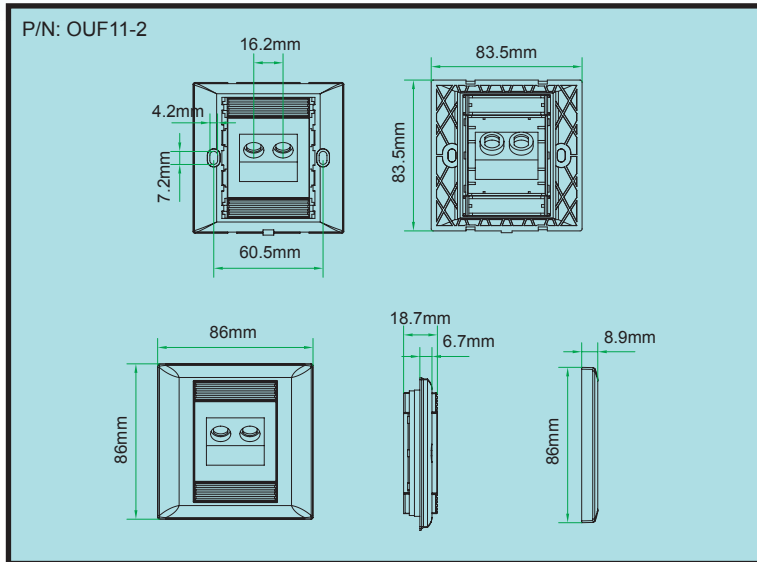
DESCRIPTION

- This fiber coupler line consists of MT-RJ, LC, SC, ST and SC, adapters available in 2 a fiber versions. angled versions are available with our patented gravity-feed design for controlling the bend radius of fiber cables. All fiber adapters are "universal" to support either multimode or single , all fiber adapters are "universal" to support conne either multimode or single.

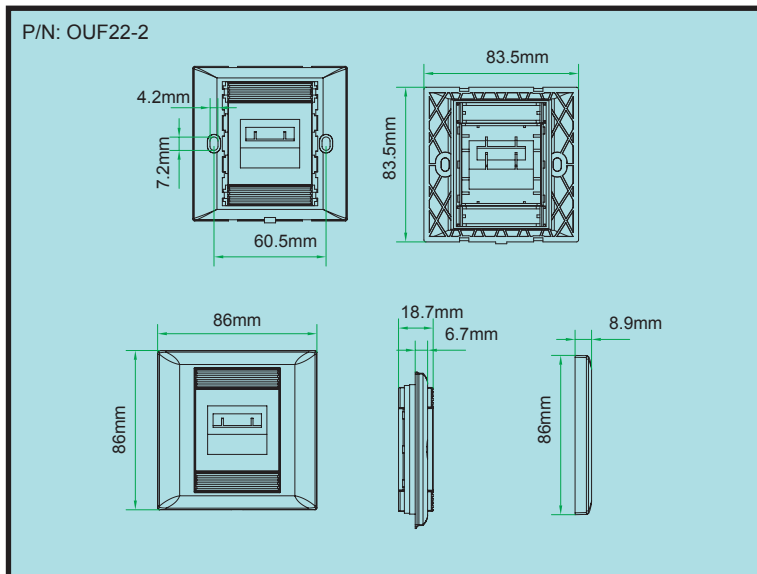
FEATURES

- This fiber coupler line consists of MT-RJ, LC, SC, ST and SC/ST hybrid Adapters available in 2 a fiber versions
- Angled versions are available with our patented gravity-feed design for
- Controlling the bend radius of the fiber cable
- All fiber adapters are "universal" to support either multimode or single mode fiber connections

PRODUCT FIGURE



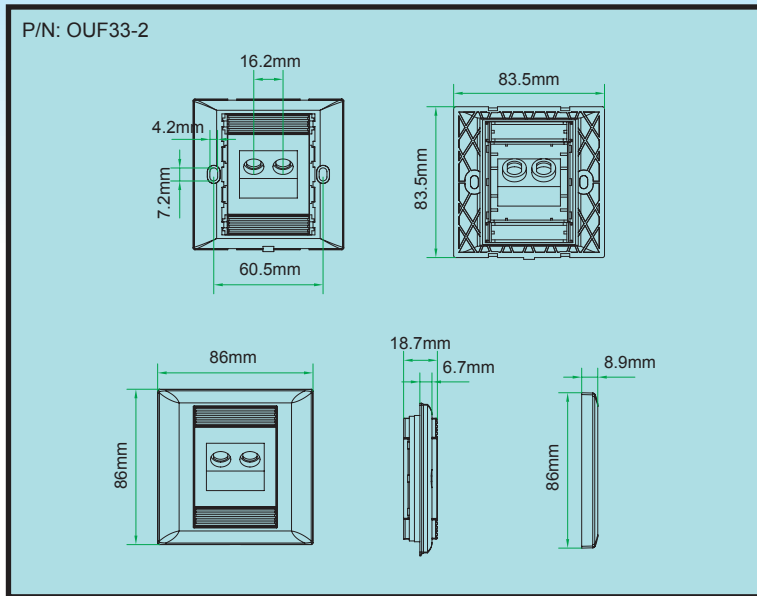
OUF11-2
2-Port ST Fiber Faceplate



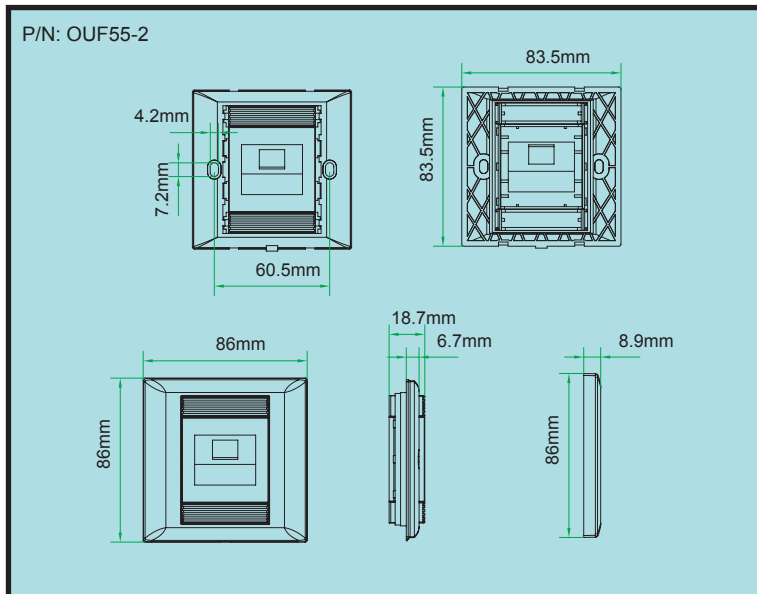
OUF22-2
2-Port SC Fiber Faceplate

FIBER FACEPLATE P/N: OUF1 1-2, OUF22-2, OUF33-2, OUF55-2, OUX86-3

PRODUCT FIGURE



OUF33-2
2-Port FC Fiber Faceplate



OUF55-2
2-Port ST Fiber Faceplate

FIBER FACEPLATE
FIBER OPTIC SOLUTION PRODUCTS

FIBER FACEPLATE P/N: OUF1 1-2, OUF22-2, OUF33-2, OUF55-2, OUX86-3

PRODUCT FIGURE



Fiber Faceplate Mount Box

ORDER INFORMATION

Part number	Description	Standard Color	Inner box	Carton	Carton measurement	Carton weight
OUF11-2	2-Port ST Fiber Faceplate	White	15PCS	150PCS	L 53.5cm×W 31.3cm×H 23.4cm	6.50KG
OUF22-2	2-Port SC Fiber Faceplate	White	15PCS	150PCS	L 53.5cm×W 31.3cm×H 23.4cm	6.50KG
OUF33-2	2-Port FC Fiber Faceplate	White	15PCS	150PCS	L 53.5cm×W 31.3cm×H 23.4cm	6.50KG
OUF55-2	2-Port LC Fiber Faceplate	White	15PCS	150PCS	L 53.5cm×W 31.3cm×H 23.4cm	6.50KG
OUX86-3	Fiber Faceplate Mount Box	White	15PCS	150PCS	L 53.5cm×W 31.3cm×H 23.4cm	6.50KG